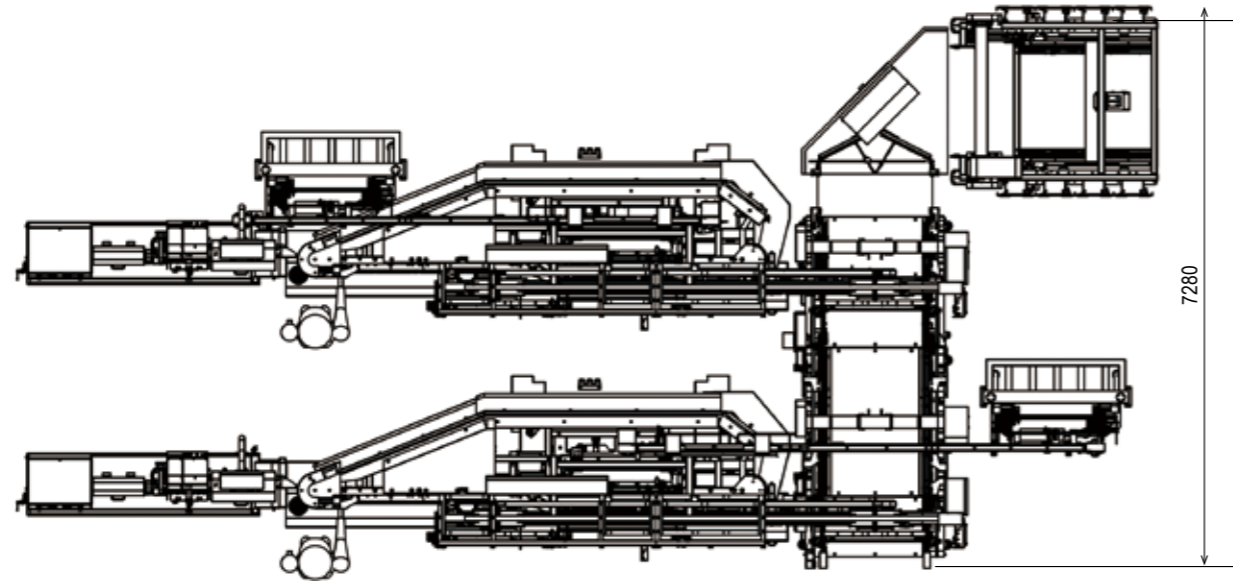


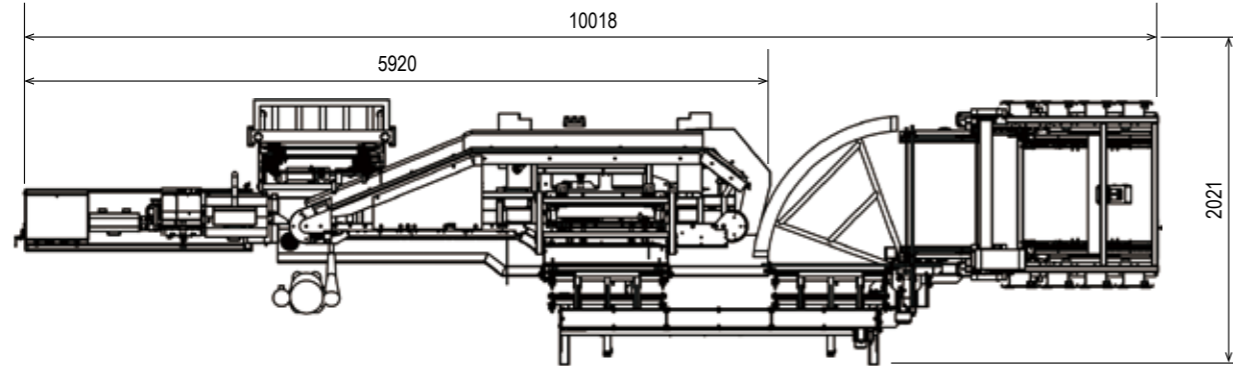
Layout Sample

AUTOMATION SYSTEM

Batch oven (LINKWEL, 900mm length of smoke stick)



2 units of HITEC linkers set to a set of AUTOMATIC SAUSAGE STICKING SYSTEM



1 unit of HITEC linkers set to a set of AUTOMATIC SAUSAGE STICKING SYSTEM

AUTOMATION SYSTEM for Batch oven Video



Scan QR code for Video.

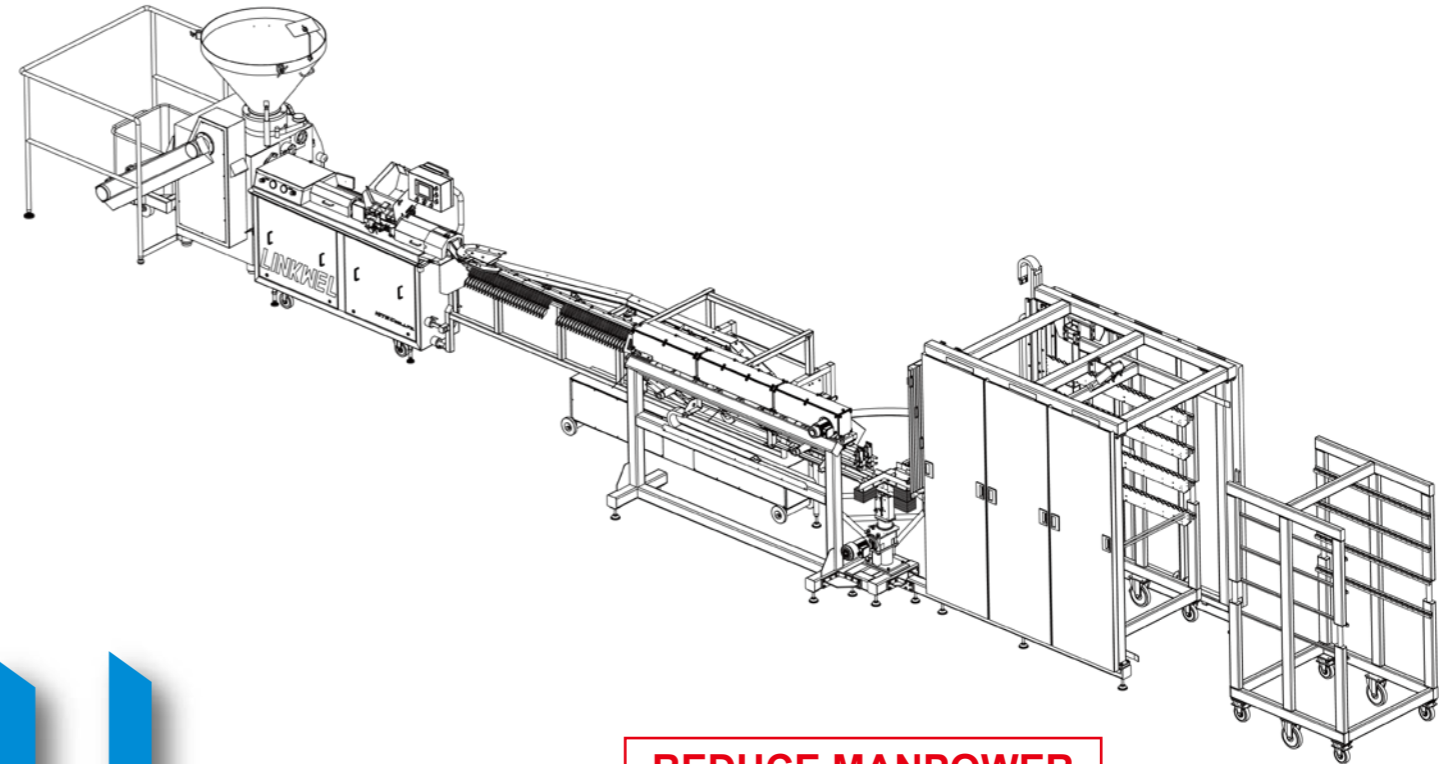
Solutions for today, Innovations for tomorrow.

CUSTOMIZATION

AUTOMATION SYSTEM

Designed to your specification

HITEC Solutions of AUTOMATIC SAUSAGE STICKING SYSTEM for Batch oven

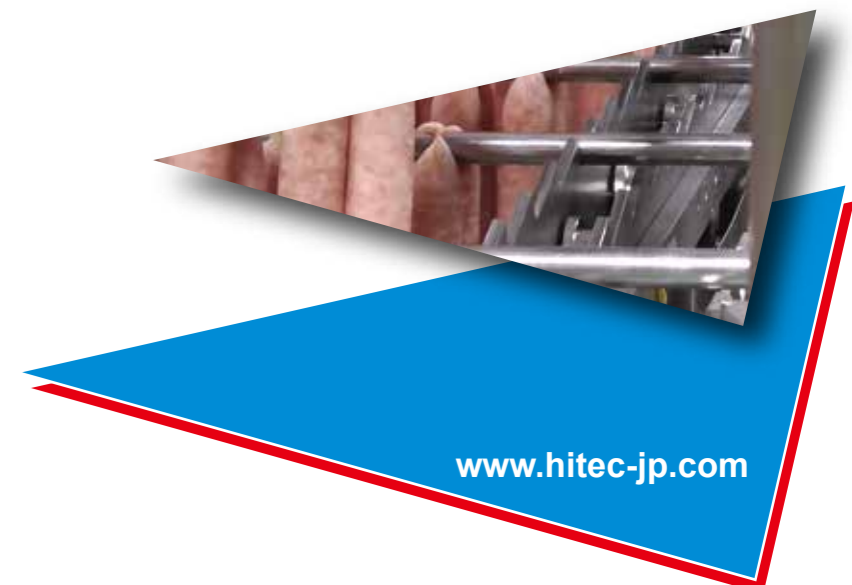


REDUCE MANPOWER

INCREASE PRODUCTIVITY

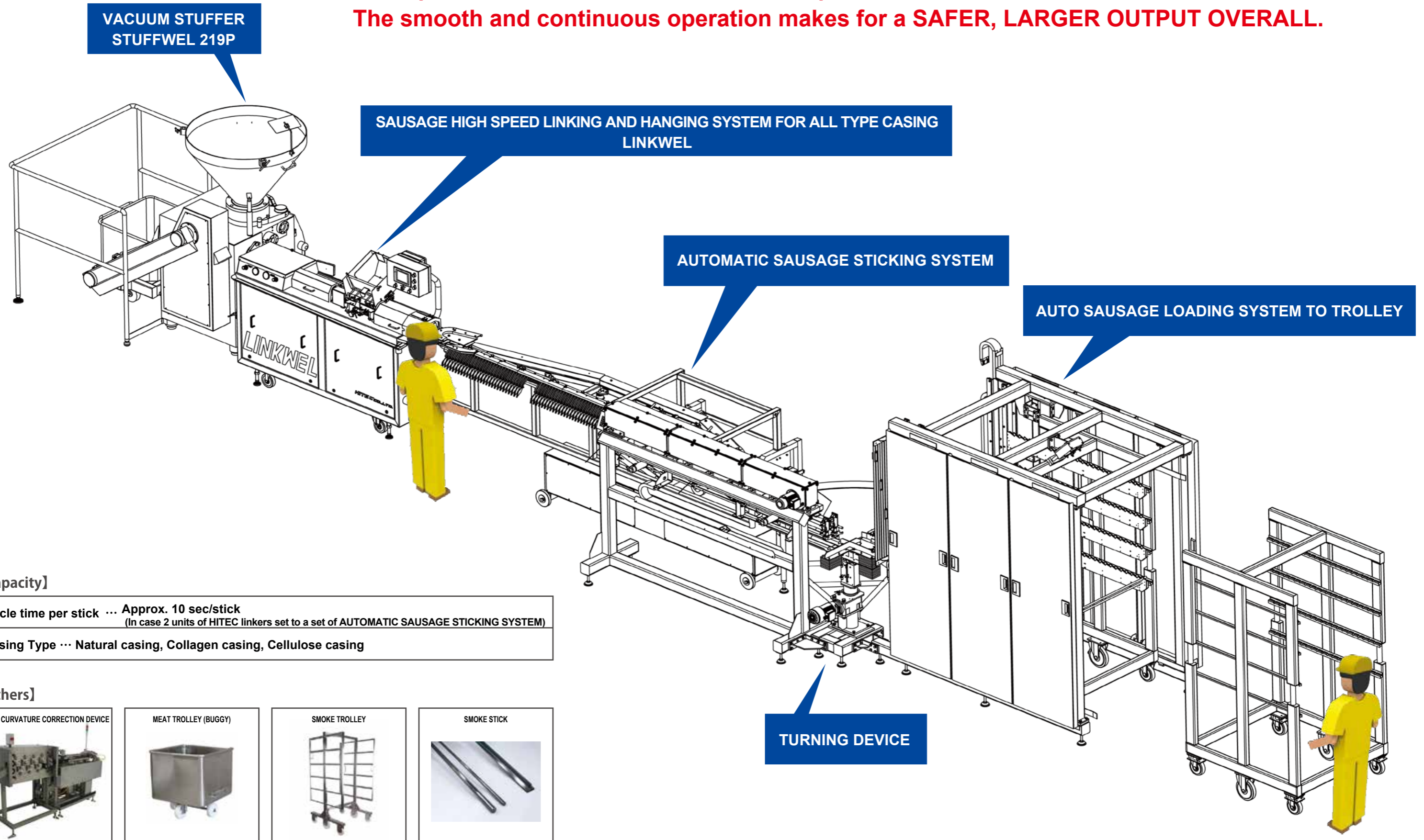
REDUCE DOWN TIME

DECREASE BACK INJURIES



www.hitec-jp.com

**This system is designed for low maintenance,
with speeds similar to traditional manual operation.
The smooth and continuous operation makes for a SAFER, LARGER OUTPUT OVERALL.**



[Capacity]

Cycle time per stick ... **Approx. 10 sec/stick**
(In case 2 units of HITEC linkers set to a set of AUTOMATIC SAUSAGE STICKING SYSTEM)

Casing Type ... Natural casing, Collagen casing, Cellulose casing

[Others]



Current HITEC linkers you have are retrofitable to run with automation system.